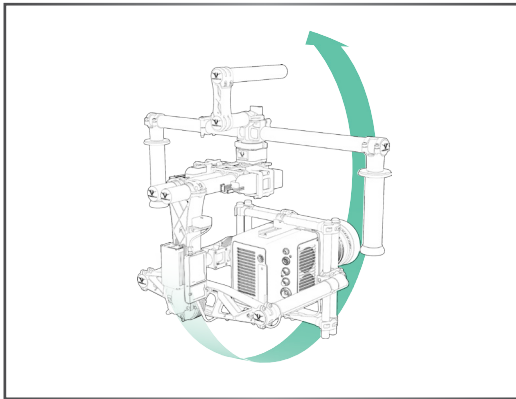


COMPASS CALIBRATION:

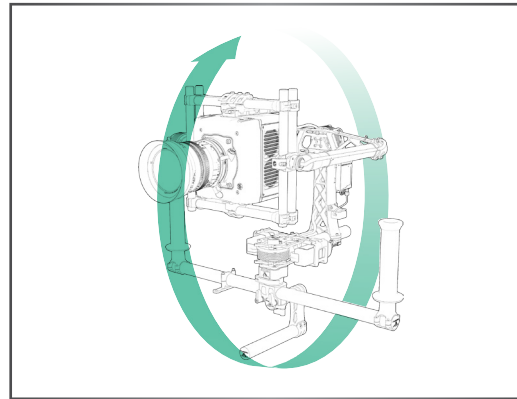
To improve GPS and Heading accuracy, the MōVI's compass should be calibrated with the proper declination. The value of your declination is determined by your current geographical location and is set by you.

It is recommended that you recalibrate when planning to use Heading Assist or Target Mode.

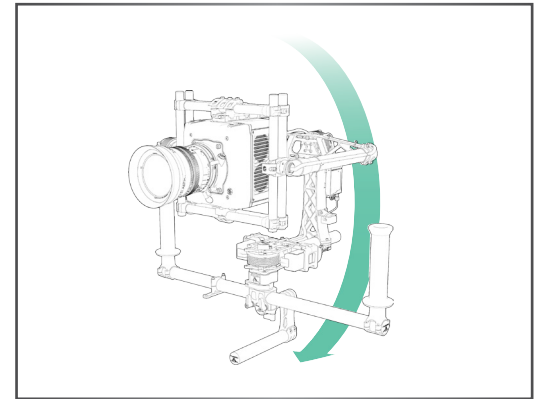
Compass Calibration requires the MōVI app and is found under **Configuration > Expert > Compass**.



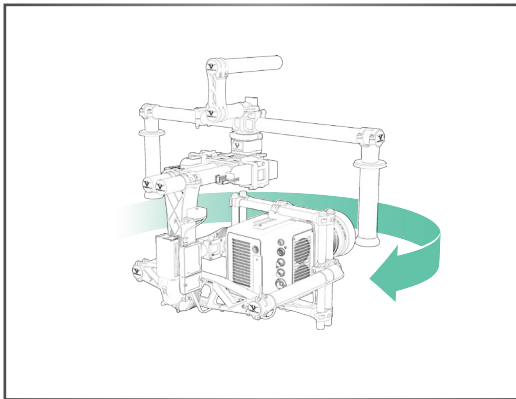
1. Face North (Pitch -180°)



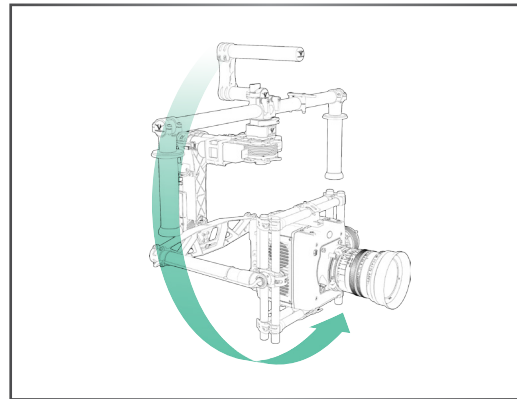
2. Pitch 360°



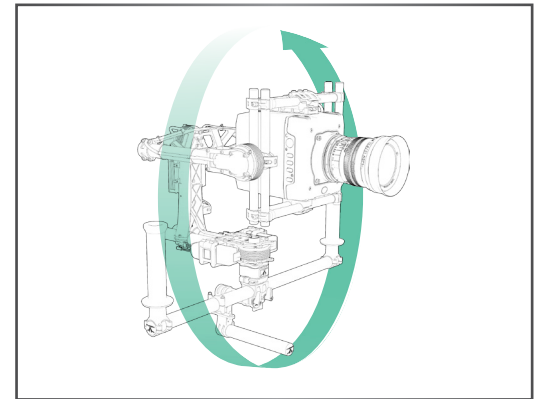
3. Pitch 180°



4. Yaw 90° (Face East)



5. Roll -180°



6. Roll 360°