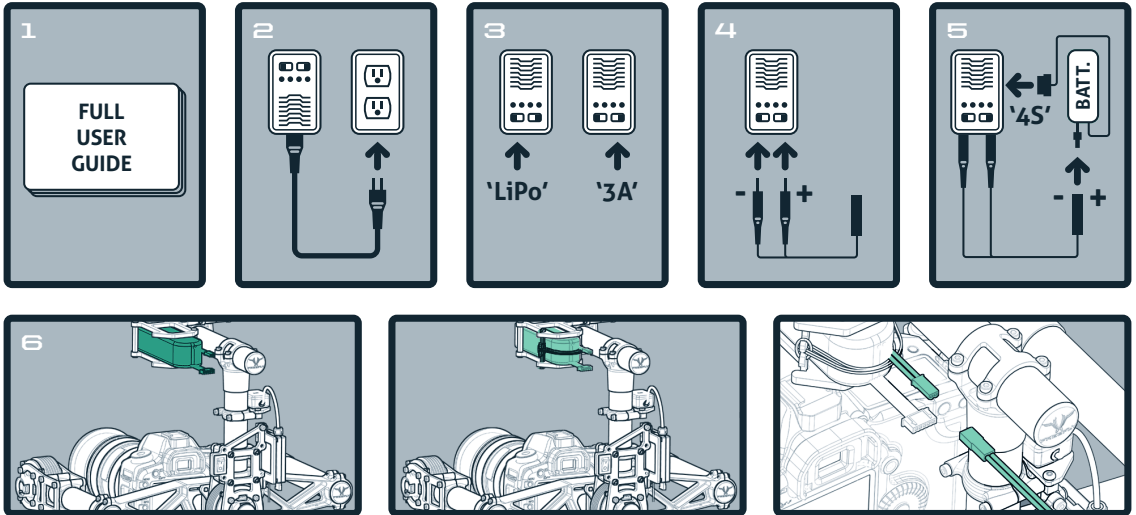


# FREELY MōVI M10

# QUICKSTART

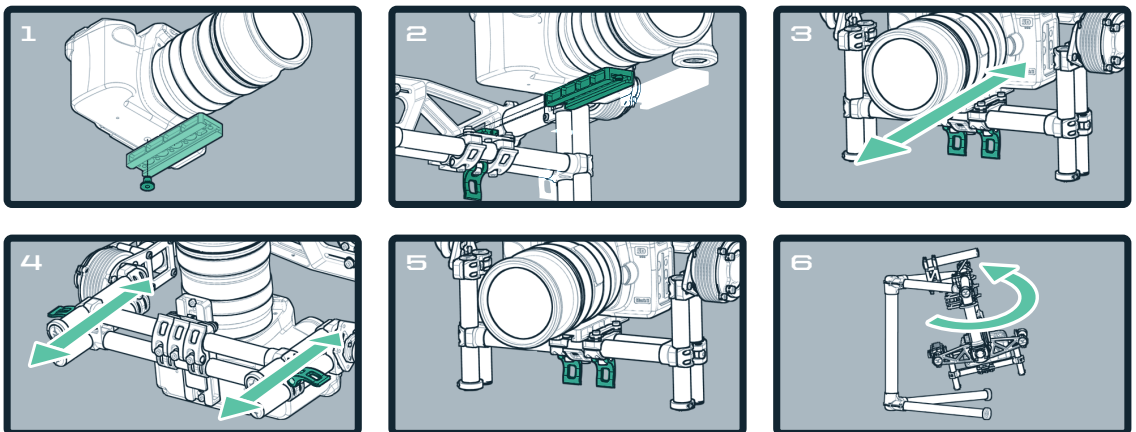
This quickstart guide is designed for a first time user. Please refer to the full user guide for more detailed information

## A. CHARGE & INSTALL BATTERY



1. Read battery / charging safety info (refer to full user guide).
2. Plug Freely charger into wall.
3. Set charger to "lipo" and "3A" settings.
4. Connect charge leads to charger.
5. Connect battery balance lead to charger.
6. Install battery into MōVI (3 steps).

## B. INSTALL & BALANCE CAMERA



1. Mount fully built camera to camera rail.
2. Mount camera to MōVI.
3. Balance tilt axis fore / aft CG.
4. Balance tilt vertical CG.
5. Balance roll axis CG.
6. Balance pan axis CG.

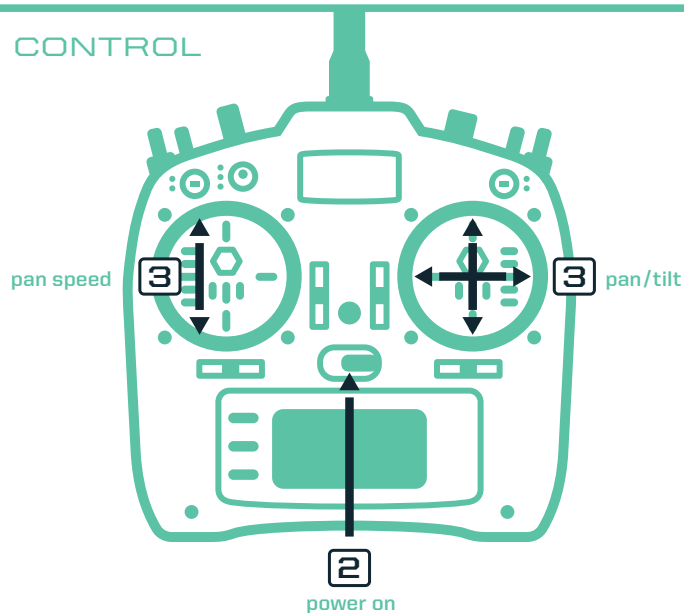


### C. TUNING



1. Turn MöVI power switch on.
2. Connect to the MöVI via Bluetooth™ (tablet, laptop).
3. Set tilt stiffness (under 'tilt' tab of the GUI).
4. Set roll stiffness (under 'roll' tab of the GUI).
5. Set pan stiffness (under 'pan' tab of the GUI).

### D. REMOTE CONTROL



1. Load remote preset from Freelyfly website (only if your M10 does not include a remote).
2. Power transmitter on.
3. Adjust pan and tilt speeds to user preference.